

# □ MEGA



→ □ MEGA *the unbeatable*

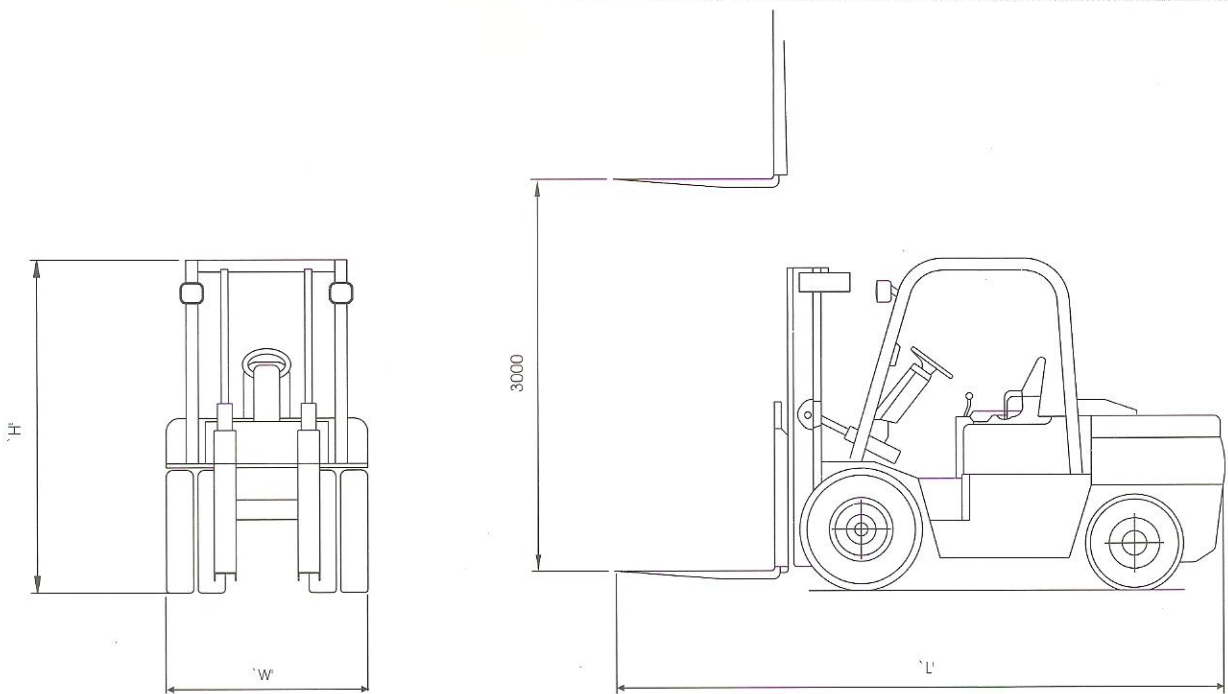
## CPD10 - CPD25 Battery Counter-balanced Forklift Truck



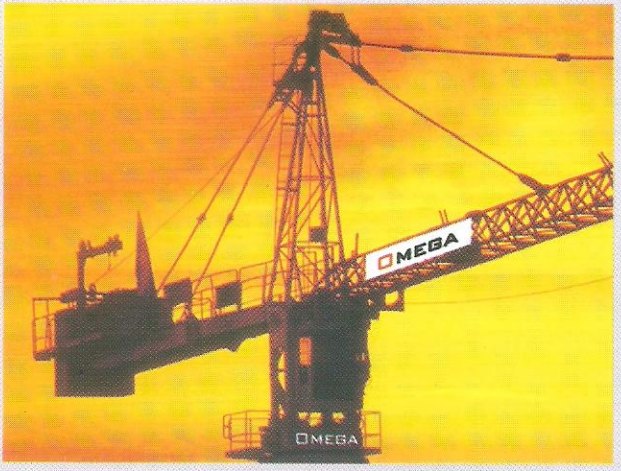
Model	Unit	CPD 10	CPD 15	CPD 20	CPD 25
Rated capacity	kg	100	1500	2000	2500
Load center	mm	500			
Max. lifting height	mm	3000			
Mast tilt angle (Front/Rear)		6° / 12°			
Fork size	mm	920 x 100 x 35		1070 x 130 x 40	
Overall dimension	Lenght	mm	3020	3450	3500
	Width	mm	1070	1150	
	Height	mm	2070	2150	
Wheelbase	mm	1370		1500	
Tread	Front	mm	890	970	
	Rear	mm	920	950	
Tyre	Front		6.5-5-10PR		7.00-12-12PR
	Rear		16 x 6-8-10PR		18 x 7-8-14PR
Storage Battery	Ovltage		48		
	Capacity		400	450	630
Motor output	Driving motor	Kw/rpm	5.2		6.5
	Working Motor	Nm/rpm	8.2		8.6
Self weight	kg	2850	3000	4100	4310

- ⊙ The drive system is powered by a high torque low speed DC electric motor.
- ⊙ The variable speed gear pump for a maximum operational efficiency, electric motor made by the American GE corporation well known for its low maintenance cost.
- ⊙ The control system has the function of low-voltage protection. When the battery group discharges up to 80% the system will automatically be protected, and guarantee the fork lift truck can travel to the battery recharge station to recharge.
- ⊙ The highly integrated digital combination instruments are extremely high in their reliability and accuracy and excellent in their identification performance. Besides they have the function of displaying the future codes and see whether it is running normally.
- ⊙ The high strength glass reinforced plastic battery capping plate is sound proof and heat insulating, and can be opened up to 90 degrees for convenience of maintenance.

MODEL		UNIT	CPC15	CPC(D)20	CPC(D)25	CPC(D)30	CPC40
CAPACITY		KG	1500	2000	2500	3000	4000
LOAD CENTER		MM	500				
MAX. LIFTING HEIGHT		MM	3000				
MAST TILT ANGLE	FRONT	DEG.					
	REAR	DEG.					
FORK SIZE		MM	920x100x35	1070x130x40		1070x125x45	1070x140x50
OVERALL DIMENSION	LENGTH 'L'	MM	3317	3550	3615	3830	4040
	WIDTH 'W'	MM	1080	1150		1225	1310
	HEIGHT 'H'	MM	2110	2120		2160	2170
WHEELBASE		MM	1350	1600		1700	1900
TREAD	FRONT	MM	910	960		1000	1040
	REAR	MM	900	970		980	980
TYRE	FRONT	MM	6.50-10-10PR	7.00-12-12PR		28x9-15-12PR	250-15-16PR
	REAR	MM	5.00-8-8PR	6.00-9-10PR		6.50-10-10PR	
ENGINE	MODEL		YD480		490BPG		YTR3105
	RATED POWER	KW/RPM	25/2600		37/2650		41/2400
	RATED TORQUE	NM/RPM	98/2000		148/1800		188/1600
SELF WEIGHT		KG	2660	3540	3840	4220	5000



MODEL		UNIT	CPCD50	CPCD60	CPCD70	CPCD80	CPCD90	CPCD100	
CAPACITY		KG	5000	6000	7000	8000	9000	10000	
LOAD CENTER		MM	600						
MAX. LIFTING HEIGHT		MM	3000						
MAST TILT ANGLE	FRONT	DEG.							
	REAR	DEG.							
FORK SIZE		MM	1220x150x60	1220x150x65	1220x175x75	1220x175x80			
OVERALL DIMENSION	LENGTH 'L'	MM	4700	4705	5215	5460			
	WIDTH 'W'	MM	1995			2160			
	HEIGHT 'H'	MM	2470		2470	2490	2490		
WHEELBASE		MM	2250		2600	2800			
TREAD	FRONT	MM	1470		1530	1600			
	REAR	MM	1700						
TYRE	FRONT	MM	8.25-15-14PR			8.25-20-14PR	9.00-20-14PR		
	REAR	MM							
ENGINE	MODEL		LR4105		LR6105		LR6108		
	RATED POWER	KW/RPM	59/2400		70/2200		88/2200		
	RATED TORQUE	NM/RPM	274/1700		400/1600		440/1600		
SELF WEIGHT		KG	8080	8790	9600	12100	12800	13200	

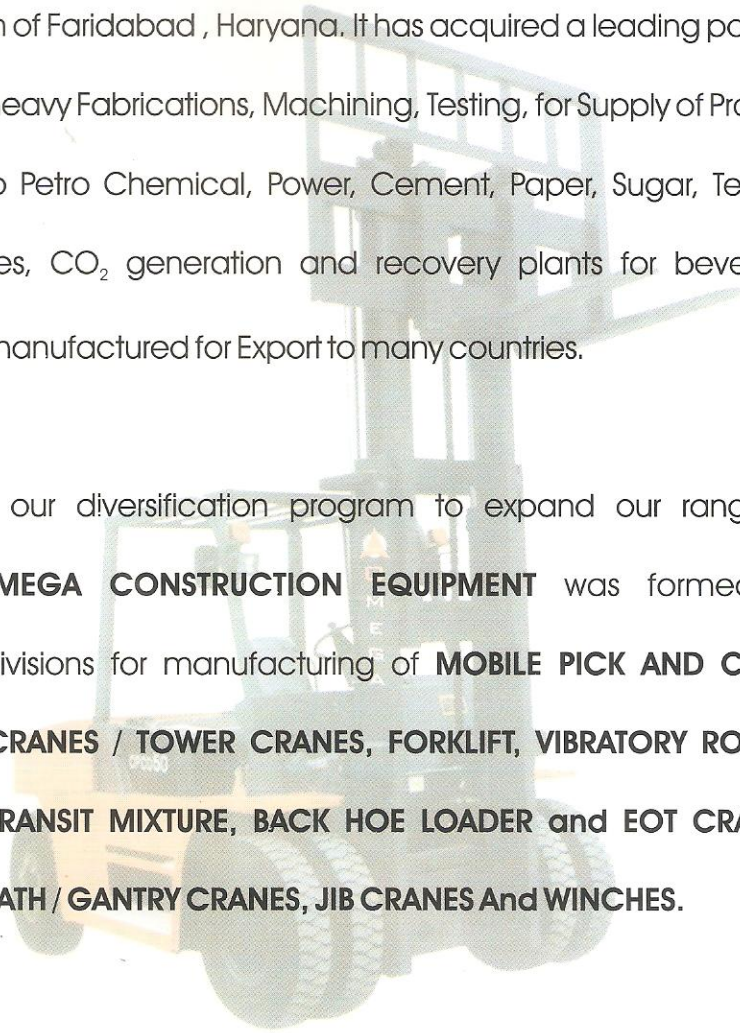




## **OMEGA CONSTRUCTION EQUIPMENT PVT. LTD.**

Is an ISO-9001-2000. This is a group of Gulati Industrial Fabrication (P) Ltd. established in the year 1965 as a small-scale industry, which has grown Big in the town of Faridabad , Haryana. It has acquired a leading position in designing heavy Fabrications, Machining, Testing, for Supply of Process Equipment to Petro Chemical, Power, Cement, Paper, Sugar, Textiles, Steel Industries, CO<sub>2</sub> generation and recovery plants for beverage industry, are manufactured for Export to many countries.

Under our diversification program to expand our range of products **OMEGA CONSTRUCTION EQUIPMENT** was formed as dedicated divisions for manufacturing of **MOBILE PICK AND CARRY HYDRAULIC CRANES / TOWER CRANES, FORKLIFT, VIBRATORY ROLLER, CONCRETE TRANSIT MIXTURE, BACK HOE LOADER and EOT CRANES, HOISTS, GOLIATH / GANTRY CRANES, JIB CRANES And WINCHES.**

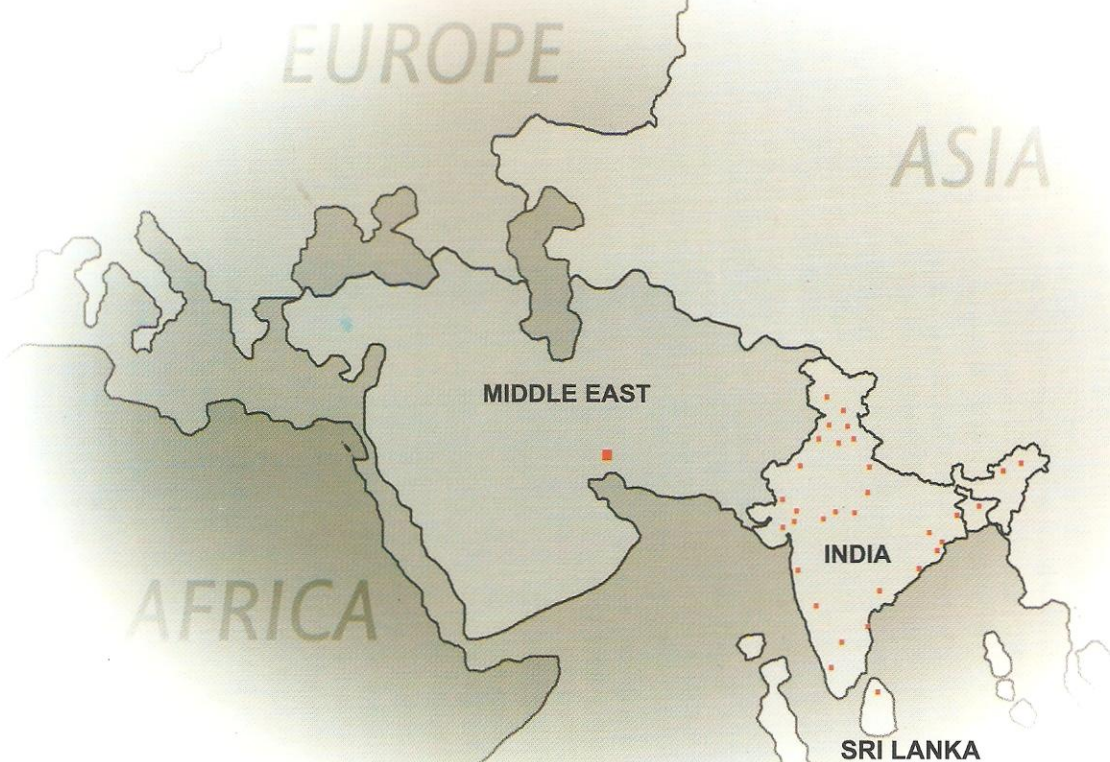




## Dealer Network in India & abroad

### PRODUCT SUPPORT

Omega Construction Equipment has Countrywide infrastructure for service & spare parts, through highly dedicated and committed Engineers, In all the major cities in India.



**INDIA :** JAMMU, MANDI, CHANDIGARH, LUDHIANA, JAIPUR, DELHI, FARIDABAD, JODHPUR, UTRAKHAD, LUCKNOW, BHOPAL, GUWAHATI, SINGRAULI, AHMEDABAD, BHAVNAGAR, BARODA, JABALPUR, SURAT, INDORE, BHILWARA, CUTTACK, KOLKATA, ASSAM, ORISSA, BHUBANESHWAR, MUMBAI, VIZAG, PUNE, SECUNDERABAD, CHENNAI, BANGALORE, COCHIN **OVERSEAS :** UAE, SRILANKA, BANGLADESH



### OMEGA CONSTRUCTION EQUIPMENT PVT. LTD.

Plot No: 262-L, Sector -24, Faridabad-121005,INDIA  
 Ph. : 91-129-4296800(100 Lines), 2232141,2230606,2238007  
 Fax.: 91-129-4066707 Web.: www.omega.org.in  
 E-mail.: omega\_cranes@airtelmail.in  
**Regd. Office.:** 1404,Chiranjiv Tower,43,Nehru Place,  
 New Delhi-110019 Ph.: 91-11-26447075,26447076  
 Fax.: 91-11-26426647

Dealer

CME # 9910471471