

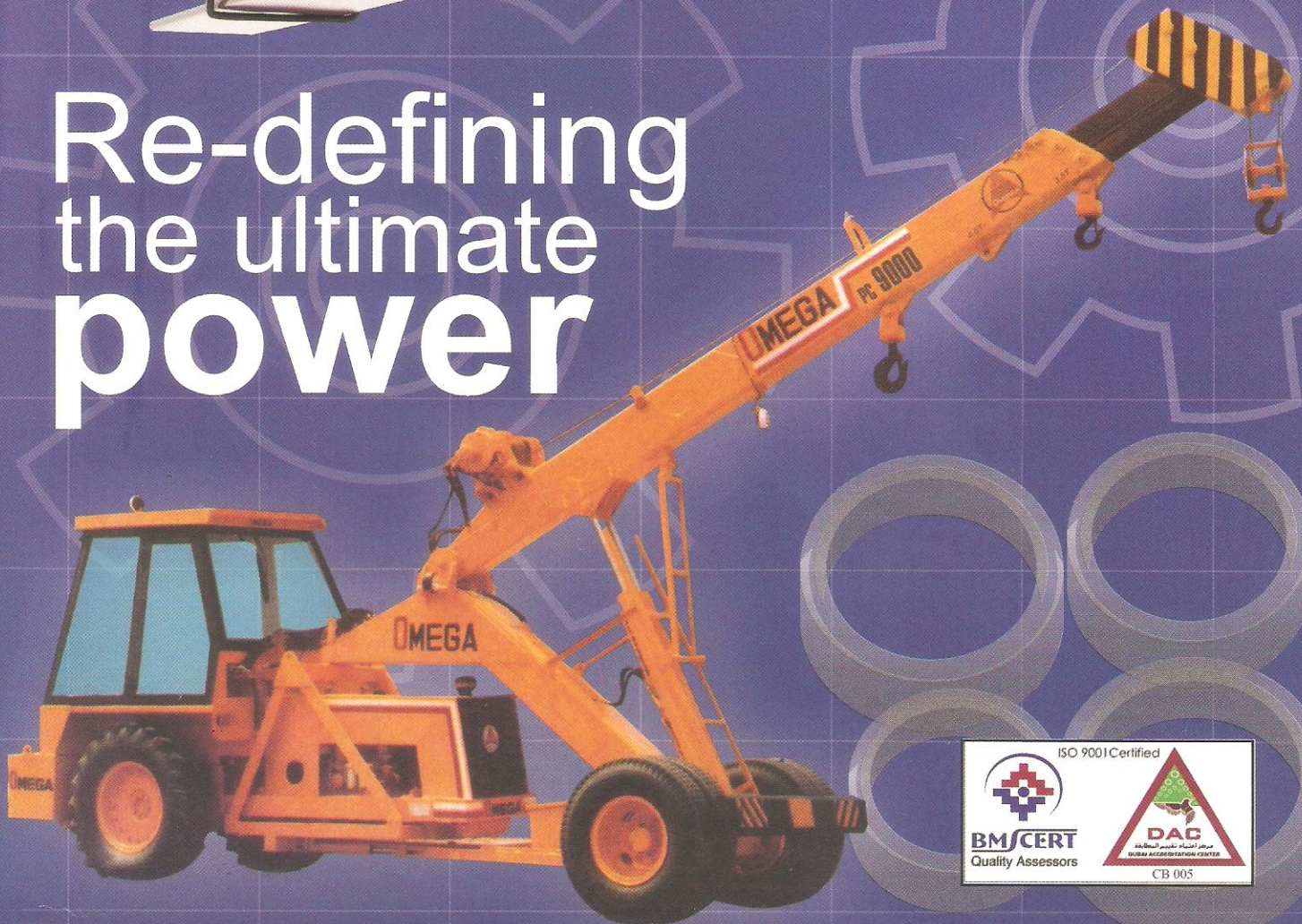


OMEGA

9 Tonnes Pick 'N' Carry Hydraulic Mobile Crane



Re-defining
the ultimate
power

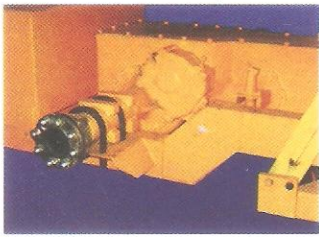


OMEGA *the unbeatable*

"LOAD KING - FUEL SAVER"

we are d

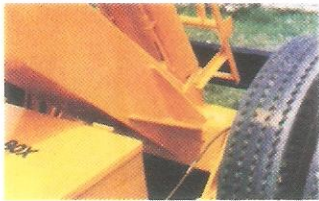
After stringent research, keeping the practical needs in mind, we are introducing some special features which differs from others.



Rigid chassis with the rear axle mounted on top of the frame, to minimised loading on rear axle mounting.



Modular tool box as standard feature.



Rigid and rounded box structure for dead axle.



Re-reinforced robust Goose neck for heavy duty application.



Re-reinforced heavy bumper with an aesthetic look.



Minimum Turning Radius for Maneuverability.



New look counter weight for better stability



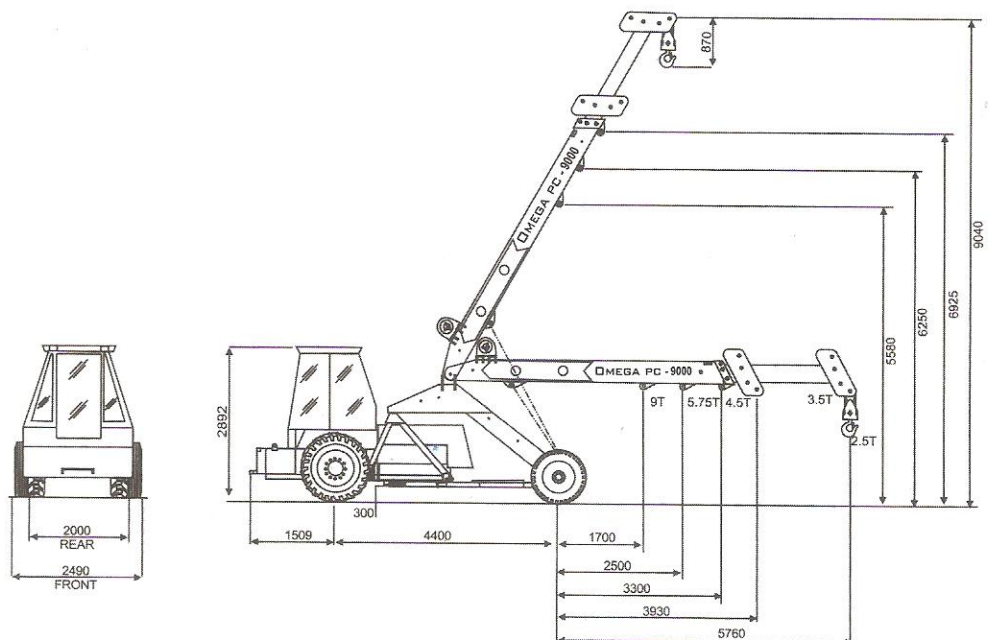
All weather cabin with three additional seats for helpers / Slingers



All Swivel Hooks complying to Indian standards



Self compensating rope arrangement for winch.



ifferent!

MEGA PC 9000

Main Frame

Heavy duty all welded rigid construction box-type with bent section having less weld joints, gives higher structural strength.

Boom

Two section box type telescopic boom made of two U sections welded together close to neutral axis.

Hydraulic System

Main pump of intra-vane type driven from engine crankshaft pulley through propeller shaft.
Control Valve :4 spool double acting with built in relief valve. Hydraulic Filter - 25 μ on return line.

Boom Derricking

Two double acting jacks designed for sustaining all operating and shock loads.

Steering

Articulated steering through double acting hydraulic jacks of 880 mm stroke.

Boom Telescope

Two part boom with hydraulically operated extension jack

Hoist Mechanism

Driven by hydraulic motor employing 4 falls of 13 mm dia wire rope. Line speed 24m per minute.

Engine

Mahindra 4-cylinder @2100 rpm
inline water cooled, diesel engine .

Transmission

Heavy duty sliding mesh with 8 forward and 2 reverse speeds with high and low range selector with original gearbox fitted.

Clutch

11" single, dry motion heavy duty clutch plate

Brake

Service brake-pneumatically assisted hydraulic brake on Front wheel , mechanical disc brake actuated through hydraulic slave cylinders on rear Wheels.
Parking Brake - Hand operated Parking Brake on Rear wheels.

Wheels

Front Tyre - 10.00 x 20 - 16 PR - 4 nos.
Rear Tyre -- 13.00 x 24 - 14 PR - 2 nos.

Top Speed

Max.25Kmph unladen on even metalled road

Vehicle weight

Front Axle weight - 3440
Rear Axle weight - 4730
Total Axle weight - 8170

Electrical System

Battery 12Volt 100Ah
Alternator 12Volt 36Amp.

Re-fill Capacities

Air Cleaner - 0.75 litres
Engine Oil - 7.5 litres
Fuel Tank - 60 litres
Hydraulic Oil Reservoir - 100 litres
Transmission oil - 38 litres

Operation Timing

Steering - 9 sec.(Lock to Lock)
Derricking in - 17 sec.
Derricking out - 20 sec.
Telescoping in-out - 10 to 12 sec.

Safety Features

Overload audio warning
Over hoist audio warning
Hose failure protection lock valve
Safety brake on hoist
Jack safety guard -heavy duty
Rugged Bumper - heavy duty

Standard Accessories

All weather wide view cabin
Tool Box fabricated on A Frame
Front and rear Work Light
Reflectors
Tool Kit
Seats for slingers in the Cabin

Optional Accessories

Fly jib
Spare wheel assembly
Spark arrestor
Extra hook

The information in this brochure is intended to be of general nature only. we reserve the right to change the specifications without notice. illustration may include optional equipment. All weight and dimensions are within $\pm 10\%$



Dealer Network in India & Abroad

PRODUCT SUPPORT

Omega construction equipment is one of the most reputed engineering organization of India. Over the years, Omega has developed a strong and dedicated dealer network across the country supported by experienced service engineers. Omega through innovative products of quality, comfort and performance is trying to create a better platform in the construction engineering.



INDIA : JAMMU, MANDI, CHANDIGARH, LUDHIANA, JAIPUR, DELHI, FARIDABAD, JODHPUR, LUCKNOW, BHOPAL, GUWAHATI, SINGRAULI, AHMEDABAD, BHAVNAGAR, BARODA, JABALPUR, SURAT, INDORE, BHILWARA, CUTTACK, KOLKATA, ASSAM, ORISSA, BHUBANESHWAR, MUMBAI, VIZAG, PUNE, SECUNDERABAD, CHENNAI, BANGALORE, COCHIN

OVERSEAS : UAE, SRILANKA, BANGLADESH

OMEGA CONSTRUCTION EQUIPMENT PVT. LTD.

Plot No: 262-M, Sector -24, Faridabad - 121005, INDIA

Ph. 91-129-4296800, Fax.: 91-129-4066707

E-mail.: info@omega.org.in, Web.: www.omega.org.in

Dealer