



OMEGA

H20



**20 TON PICK N CARRY
HYDRAULIC MOBILE CRANE**

"LOAD KING - FUEL SAVER"

→ **OMEGA** *the unbeatable*



Front and Rear chassis joining
Arrangement for achieving 40 deg. articulation on either side using heavy duty bearing for easy maneuverability and longer life.



Parking brakes
Pneumatically assisted fail safe brakes.



Power steering
With double acting arms 40° articulation on either side.



Stabilizers
A special feature for maintaining stability while lifting load at maximum height.



Rear work light
Specially provided for better viewing while reversing & lift and shift of load.



Tool box
Spacious tool box for storage of tools and slings etc.



High capacity Tanks
Good looking hydraulic & fuel tanks with high capacity for increased working hours.



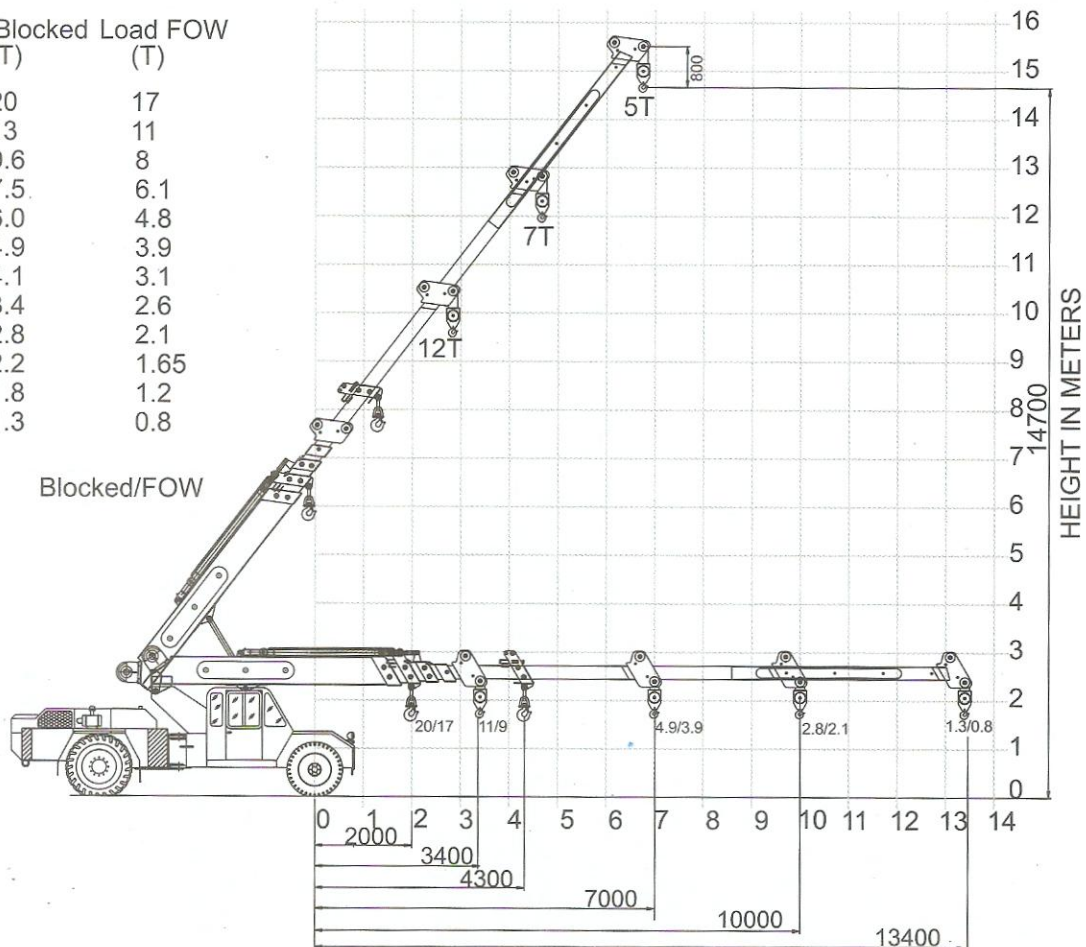
High Ground Clearance



Gear Shift
Gear shift through cables providing smooth gear shifting.

Radius (M)	Load (T)	Blocked Load FOW (T)
2	20	17
3	13	11
4	9.6	8
5	7.5	6.1
6	6.0	4.8
7	4.9	3.9
8	4.1	3.1
9	3.4	2.6
10	2.8	2.1
11	2.2	1.65
12	1.8	1.2
13	1.3	0.8

Weight.in Tons Blocked/FOW



TOLERANCE WITHIN ± 5%

SPECIFICATIONS 20T CRANE

RATED CAPACITY

20 tonne at 2.00 m radius (Blocked)
17 tonne at 2.00 m radius (FOW)
Max hook height 14.7 m
Max. hook reach 13.4 m

HYDRAULIC SYSTEM

- Main pump of 17gallon
- Control Valve- 5 spool double acting with a built in relief valve.

VEHICLE PERFORMANCE

Speed max 35 kmph
Gradeability 40% unladen

ENGINE

Diesel engine of Eicher make,
Model E483, Turbo charged, 85 kw, developing 110 hp @ 3200 rpm

STEERING

Fully powered steering unit with twin hydraulic double acting rams
40° articulation on either side

AXLE LOADING

Front Axle 6500 kg
Rear Axle 9500 kg
Total 16000 kg

CLUTCH

310 mm Dia, Single, dry type friction clutch plate.

ELECTRICAL SYSTEM

Battery - 12 V - 88 AH

STANDARD ACCESSORIES

- All weather spacious cabin
- Inbuilt tool box.
- Two hydraulically operated stabilizers in front.
- Over hoist cut off system
- Battery cut off system
- Hydraulic cut off valve

TRANSMISSION

5 forward - 1 reverse synchromesh gearbox & heavy duty Auxiliary gearbox

BOOM

- Hydraulically powered 5 part Boom with twin extension cylinders.
- Derricking through 2 nos. Cylinders.

OPTIONAL ACCESSORIES

- Fly jib
- Additional cabin

BRAKES

Service : full air dual line 'S' cam roller follower type

HOIST

Hydraulically operated with 4 falls
Built in safety brakes.
Rope Dia 13 mm.

TANK CAPACITIES

Fuel tank 150 ltrs.
Hydraulic tank 170 ltrs.

PARKING

Graduated hand control valve system (at rear wheels only)

DIMENSIONS

Overall length 9.80 m
Overall width 2.45 m
Overall height 3.10

AXLES

Front - rigidly mounted on chassis
Rear - mounted with cradle

WHEEL TRACK

Front 2060 mm
Rear 1820 mm

TYRES

Front -4 nos. 12 x 20 - 18 PR
Rear - 2 nos. 14 x 25 - 20 PR

WHEEL BASE

4450 mm

Feel the power

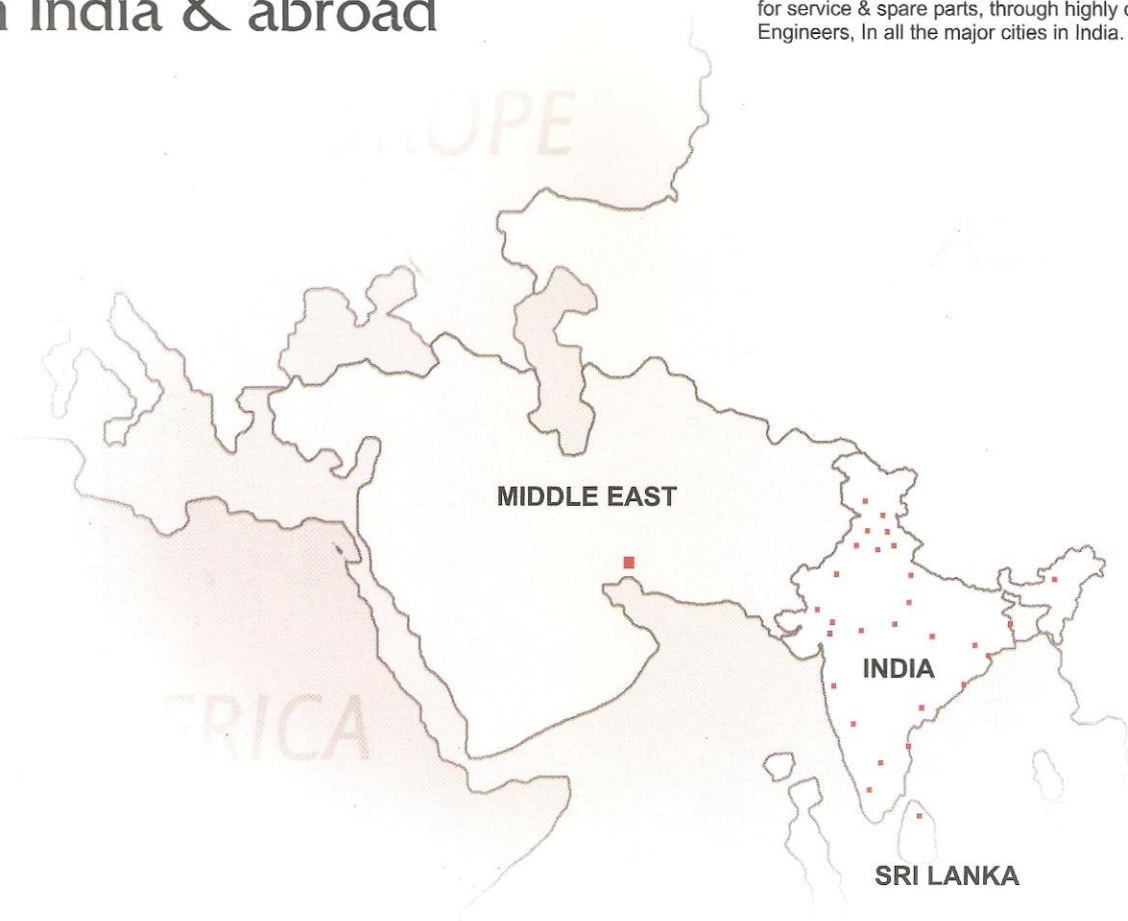




Dealer Network in India & abroad

PRODUCT SUPPORT

Omega Construction Equipment has Countrywide infrastructure for service & spare parts, through highly dedicated and committed Engineers, In all the major cities in India.



INDIA : JAMMU, MANDI, CHANDIGARH, LUDHIANA, JAIPUR, DELHI, FARIDABAD, JODHPUR, LUCKNOW, GUWAHATI, SINGRAULI, AHMEDABAD, BARODA, JABALPUR, SURAT, INDORE, BHILWARA, CUTTACK, BHUBANESHWAR, MUMBAI, VIZAG, PUNE, SECUNDERABAD, CHENNAI, BANGALORE, COCHIN **OVERSEAS** : UAE, SRILANKA



OMEGA CONSTRUCTION EQUIPMENT

(A unit of Gulati Industrial Fabrication (P) Ltd.)

Plot No: 262-L, Sector -24, Faridabad-121005,INDIA

Ph. : 91-129- 2232141,2230606,2238007

Fax.: 91-129-5066707 Web.: www.gifindia.com

E-mail.: Omega_cranes@airtelbroadband.in

Regd. Office.: 1404,Chiranjiv Tower,43,Nehru Place,

New Delhi-110019 Ph.: 91-11-26447075,26447076

Fax.: 91-11-26426647

Dealer