



OMEGA

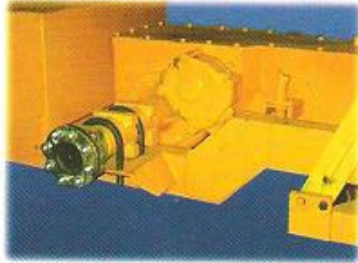
12 TONNES PICK 'N' CARRY HYDRAULIC MOBILE CRANE



"LOAD KING - FUEL SAVER"

→ **OMEGA** *the unbeatable*

we are d



Rigid chassis with the rear axle mounted on top of the frame, to minimise loading on rear axle mounting.



Modular tool box as standard feature.



Rigid and rounded box structure for dead axle.



Re-enforced robust Goose neck for heavy duty application.



Re-enforced heavy duty bumper with an aesthetic look.



Minimum Turning Radius for Maneuverability.

After, stringent research, keeping the practical needs in mind, we are introducing some special features which differs from others.



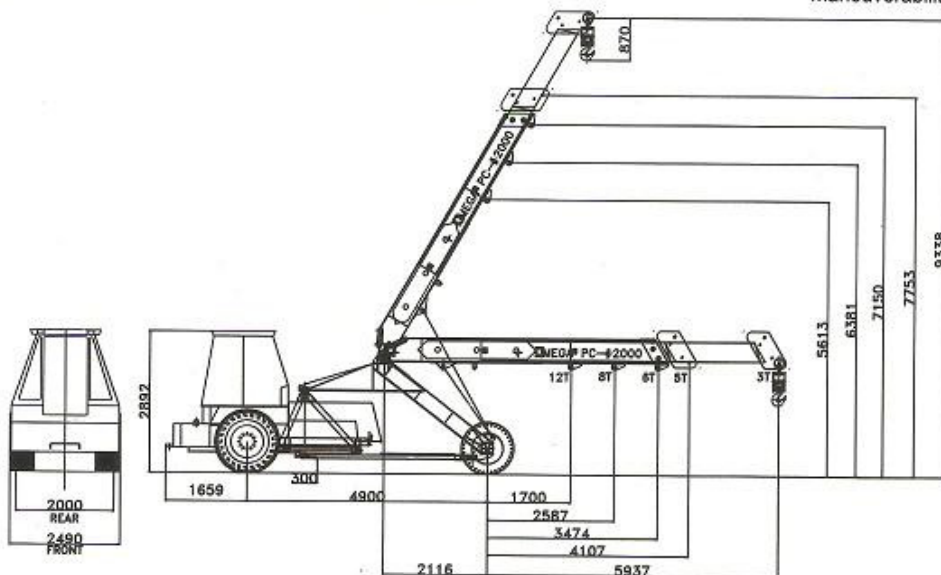
New look counter weight for better stability.



All weather cabin with three additional seats for helpers/ Slingers



All Swivel Hooks complying to Indian standards.



ifferent !

MEGA Pc 12000

Main Frame

Heavy duty all welded rigid construction box-type with bent section having less weld joints, gives higher structural strength.

Boom

Three/Two section box type telescopic boom made of two U sections welded together close to neutral axis.

Hydraulic System

Main pump of intra-vane type driven from engine crankshaft pulley through propeller shaft.

Control Valve :4 spool double acting with built in relief valve. Hydraulic Filter - 25µ on return line.

Boom Derricking

Two double acting jacks designed for sustaining all operating and shock loads.

Steering

Articulated steering through double acting hydraulic jacks of 880 mm stroke.

Boom Telescope

Two part / Three part boom with hydraulically operated extension jack

Hoist Mechanism

Driven by hydraulic motor employing 4 falls of 13 mm dia wire rope. Line speed 24m per minute.

Engine

MAHINDRA 4 cylinder @2100rpm inline water cooled, diesel engine.

Transmission

Sliding mesh with 8 forward and 2 reverse speeds with high and low range selector.

Clutch

11" single, dry friction heavy duty clutch plate.

Brake

Service brake-pneumatically assisted hydraulic brake on Front wheel , mechanical disc brake actuated through hydraulic slave cylinders on rear Wheels.

Parking Brake - Hand operated Parking Brake on Rear wheels.

Wheels

Front Tyre - 11.00 x 20 - 16 PR - 4 nos.

Rear Tyre -- 13.00 x 24 - 12 PR - 2 nos.

Top Speed

Max.32 Kmph unladen on even metalled road

Vehicle weight

Total Gross weight - 9800 Kgs

Track

Front - 2490mm

Rear - 2000mm

Electrical System

Battery 12Volt 100Ah

Alternator 12Volt 36Amp.

Re-fill Capacities

Air Cleaner - 0.75 litres

Engine Oil - 7.5 litres

Fuel Tank - 60 litres

Hydraulic Reservoir - 100 litres

Transmission oil - 3

earing - 9 sec.(Lock to Lock)

Derricking in - 17 sec.

Derricking out - 20 sec.

Telescoping in-out - 10 to 12 sec.

Safety Features

Overload audio warning

Over hoist audio warning

Hose failure protection lock valve

Safety brake on hoist

Jack safety guard -heavy duty

Rugged Bumper - heavy duty

Standard Accessories

All weather wide view cabin

Tool Box fabricated on A Frame

Front Work Light

Reflectors

Tool Kit

Seats for slingers in the Cabin

Fog Lamp

Cabin Fan

Optional Accessories

Fly jib

Spare wheel assembly

Spark arrestor

The information in this brochure is intended to be of general nature only. we reserve the right to change the specifications without notice. Illustration may include optional equipment. All weight and dimensions are within $\pm 5\%$.

 MEGA CONSTRUCTION EQUIPMENT PVT. LTD.